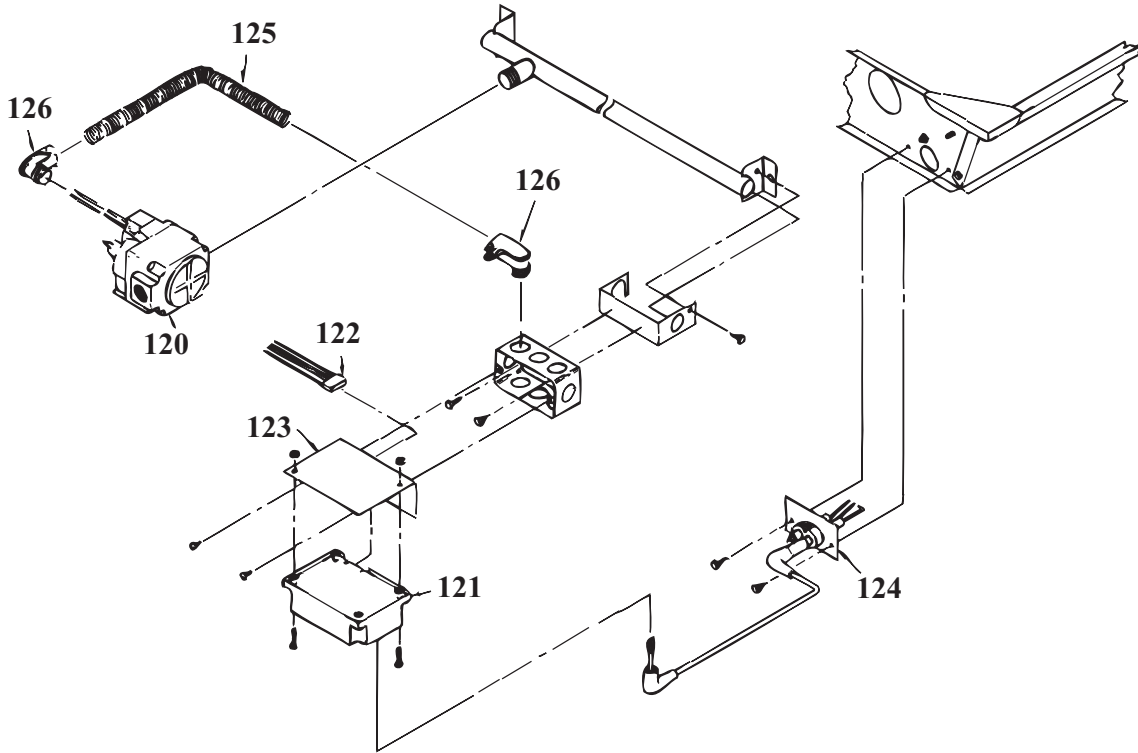


# High-Intensity Infrared Models RIH/RIHV

## Controls - All RIH/RIHV High-Intensity Infrared Models



Code	P/N	Description
120	112044	Main Valve (115V) - 1/2" NPT, 002-42-01536C01A284 (natural and propane)
121	96010	Ignition Detection Control, Mark 10X-117, #132075-2, Pkg R9
122	96011	Wire Harness, #132084, Pkg R10
123	112045	Ignition Detection Control Mounting Bracket, #000K-1-016
124	112046	Ignitor, #0002-42-110
125		Conduit, 3/8" Greenfield with Anti-Short Bushings
	112047	for <b>RIHN30, RIHN60, RIHL50</b> , #3802-95-300-01
	112048	for <b>RIHVN 100, RIHVL90</b> , #3802-95-300-02
	112049	for <b>RIHVN 150, RIHVL 120</b> , #3802-95-300-03
	112050	for <b>RIHVN 160</b> , #3802-95-300-04
126	112051	Angle Connector for 3/8" Greenfield, #3802-95-302

## Miscellaneous Replacement Parts and Accessories - Models RIH/RIHV

Description	Same as Option	P/N
Chain - 50', 200 lb with 14 "S" Hooks	UE-1	95995
Chain Hanging Kit - see illustration and instructions on the right	UE-2	110253
Stainless Flex Gas Connector, 24", 7/8" O.D. with 1/2 gas cock with pressure tap	UF-2	96000
Single-Stage Thermostat - see illustration below	CL34	110252



### Single-Stage Thermostat, P/N 110252

115/24 Volt  
50-90°F Range  
Snap Action Switch  
Vertical Mounting  
Mfg #132026-1

### Chain Hanging Kit, P/N 110253

#### Instructions:

- 1) Hang full length chain at desired height and attach heater (C) with S-hooks
- 2) Attach one end of the 1' length chain with S-hooks to front of heater (D).
- 3) Place other end of chain with S-hook in hook (B) on the full length chain.
- 4) Change degree of angle by moving "S" hook at point B.
- 5) Check to be sure unit is level. Crimp all "S" hooks closed.

